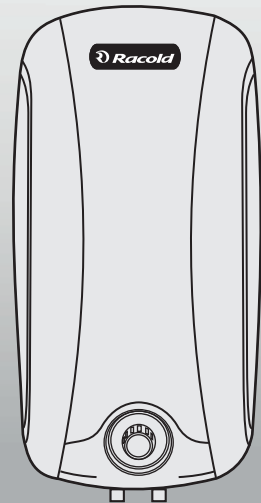


INSTRUCTION MANUAL

Eterno 2 NXT

Eterno Pro



- Product Features
- Safety Devices
- Installation

- Know Your Water Heater
- Specifications
- Electrical Connections

Dear Customer,

Thank you for choosing a world-class product from Ariston Group India Private Limited. Your choice for nothing but the best is reflected by your trust placed in Ariston.

Racold is registered trademark of Ariston Spa, Italy.

Ariston Group India Private Limited is a fully owned subsidiary of Ariston Spa, Italy and part of the Ariston Group the leaders in water heater.

Today Ariston Group India Private Limited is the largest provider of water heating solutions in India, catering to all sectors water heating namely" Electrical, Gas, Solar and Heat Pump water heaters"

The Racold range of products from Ariston Group India Private Limited have changed the industry standards by setting new benchmarks in quality, aesthetics and performance.

Our many firsts in India include :

- Water heater with rust proof polypropylene body.
- Stainless steel inner container with multi-function safety valve for high Pressure operation without additional pressure reducing valve.
- PUF insulation for maximum energy saving.
- Energy labeling for any domestic electrical appliances.
- Only water heater with quality and performance certification as per IEC/EN and Indian standards (ISI mark).
- **Won Highest Number of National Energy Conservation Award from BEE (Bureau of Energy Efficiency) For electric storage water heaters.**


Retain this manual safety and in case you need any assistance you may get in touch with any of our customer care centres, the details of which are enclosed.

Kindly follow the instructions given in this manual and enjoy years of trouble free performance.

ARISTON GROUP INDIA PRIVATE LIMITED

PRODUCT FEATURES:

1. High density PUF insulation.
2. Strong non-corrosive and durable PP outerbody and inspection cover.
3. Hi-tech thermostat and cutout, for double safety.
4. Titanium enamel coating provides extreme protection from corrosion and durability, compression and pressure resistance.
5. Special Titanium enamelled heating element gives better protection and longer life
6. Save upto 30% electricity with intelligent function that empowers you to customize your bathing experience.
7. Multifunction Safety Valve (4 in 1)
 - a. Non return valve
 - b. Vacuum release valve
 - c. Pressure release valve
 - d. Drain valve

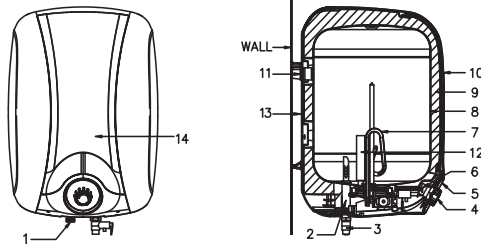
8. Compact size.
9. Drip proof construction.
10. Special flush mounting. 

11. Smart Mix:

During the use, every withdrawal of hot water from the water heater is then balanced by cold water coming in. The "Smart Mix" technology provides better management of the cold water coming inside the water heater. The special Smart Mix deflector allows the water to mix more slowly, keeping the internal water temperature high and avoiding re-heating of water unnecessarily thereby saving precious electricity.

The Smart Mix system, with its new deflectors of water coming in, allows the user to draw upto 10% more hot water than a traditional water heater of the same capacity.

KNOW YOUR WATER HEATER :



VERTICAL INSTALLATION

- | | | |
|--|--------------------------|--------------------------------|
| 1 -OUTLET CONNECTION | 2 -INLET CONNECTION | 3 -MULTI-FUNCTION SAFETY VALVE |
| 4 TEMP CONTROL KNOB
(CLOCKWISE INCREMENTAL) | 5 -INSPECTION COVER | 6 -THERMOSTAT AND CUT-OUT |
| 7 -HEATING ELEMENT | 8 -INNER CONTAINER | 9 -PUF INSULATION |
| 10 -FRONT COVER | 11 -INSTALLATION BRACKET | 12 -MAGNESIUM ANODE |
| 13 -BACK COVER | 14 -STRIP | |

SAFETY DEVICES :

A. Multi functional Safety Valve :

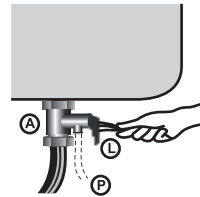
In-built multifunction safety valve (Pressure relief valve) is set to operate between 7.5 bar (109 p.s.i.) to 8.5 bar (123 p.s.i.).

Drain lever (L) is provided to drain the water heater only in case of servicing as shown in Fig.2. To avoid deposition of lime in the safety valve, please move the lever(L) up and down few times once in a 6 month.

In case of safety-valve dripping during normal use, connect a discharge pipe (P) as shown in Fig.2. This will happen only if the pressure inside the tank reaches beyond rated pressure limits.

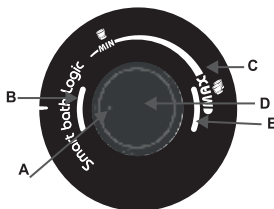


Fig. 2

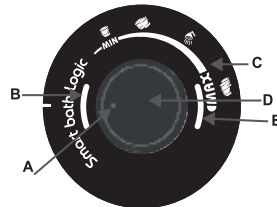


OPERATIONAL INSTRUCTIONS:

MODEL : ER 10 & 15 V



MODEL : ER 25 V



A= Arrow Mark (Reference Point), B= Red Lamp, C= Display Sticker,

D=4) Temp control knob (clockwise incremental)
E= Blue Lamp

1. Switch on the water heater's main supply, red and blue indicator lamp comes on.
2. The arrow mark knob should be position as per bathing requirement using the point mention on the display sticker.
3. The red indicator lamp switches off indicates water inside the water heater reached to the set temperature .
4. The Blue indicator lamp, which is ON during the normal operation, goes OFF when the thermal cut-out is activated. Contact qualified service personnel in this event.

SMART BATH LOGIC

The intelligent Smart Bath Logic indicators around the temperature regulator knob allows you to choose the hot water requirement to suit to your bathing requirements and thereby choose the amount of power the water heater consumes. The Smart Bath Logic indicators allow you to be in total control of the energy consumed, by adjusting the knob to the required position

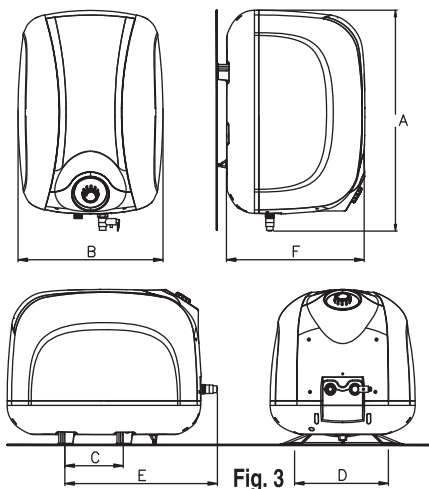
The following are the indicative saving in each of the desired knob positions as compared to the maximum thermostat setting.

Indicative Electricity Savings as compared to maximum possible setting			
Desired knob setting	1 Bucket	2 Buckets	1 Shower
Water Heater Capacity			
10L	25%		
15L	25%		
25L	30%	20%	10%

The results in the above table are mentioned as per test conditions. Results may varies from unit to unit & place to place.

Note: Hot water from the water heater, needs to be mixed with cold water to get the desired quantity of water at bathable temp (40°C).

SPECIFICATIONS:



Model	A	B	C	D	E	F
ENTERNO PRO 10V	478	310	-	225	320	291
ENTERNO 2 NXT 10V						
ENTERNO PRO 15V	602	310	-	225	436	291
ENTERNO 2 NXT 15 V						
ENTERNO PRO 25V	559	386	-	225	394	368
ENTERNO 2 NXT 25 V						

All Dimensions are in 'mm'

Maximum rated pressure-

8 Bar/ 800000 pascal/ 0.8 Mpa / 80 N/cm² /~80m

Water Head

Minimum inlet water pressure-

5000 Pascal (0.05 bar) for all models

Note: Rated pressure is developed inside the tank after heating at outlet pipe. It is recommended to maintain approximately 1.5bar pressure at inlet pipe

ETERNO SERIES

Model	ETERNO PRO, ETERNO 2NXT		
Capacity declared (Ltrs)	10	15	25
Real capacity (Ltrs)	10.1	15.3	25.2
Power supply (Kw)	230 Volts AC, 50Hz, Single Phase		
Wattage (Kw)	2.0		
Reheating time for 50°C temp rise (minutes) Max	25	30	60
Mean hot water output temp (°C) Min	50	50	50
Mixing factor (%) Max	20	20	20

PREPARATION FOR INSTALLATION:

1. For the installation of this water heater you need to prepare the wall suitably and more so if the wall is constructed out of hollow bricks.
2. For solid bricks the usual method of installation of drilling holes in the wall and securing bolts in the right position with the help of cement concrete can be adopted, use M8 x 75 mm bolts.
3. However for hollow bricks the following procedure should be adopted:
 Dig up sufficient space to accommodate the wall mounting bracket supplied with this water heater, upto a minimum depth of 80mm and fill up the complete space with cement concrete.
 After the cement concrete is properly set the wall bracket can then be secured to the wall with the help of bolts. It is very important to put the wall bracket only after the cement concrete has set in.

FOR VERTICAL INSTALLATION

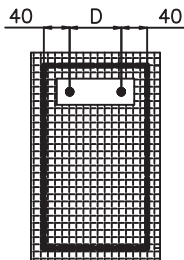


Fig. 4

INSTALLATION:

Mounting and plumbing

1. Mounting bracket is supplied with the water heater.
2. Mark the position of the bolts on the wall, after checking the same with the mounting bracket supplied with the water heater.
3. Hook the water heater to the bolts and pull down the water heater slightly by hand to cause firm gripping in the slot of the bracket.
4. The cold water inlet pipe is circled with a blue collar while the hot water outlet pipe with red collar.
5. Fix 1/2" BSP union coupling on inlet and outlet connections.
6. Make necessary plumbing with the reference of the installation diagrams shown .
7. Ensure proper ventilation where the water heater unit is been installed.

Please ensure that the pressure in water heater is less than the rated pressure. install pressure reducing valve at the inlet as shown in Fig. 5.

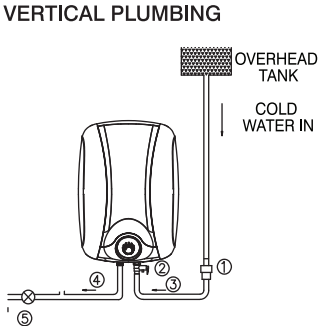


Fig. 5

- 1. Pressure Reducing Valve (PRV)
- 2. Multi-function safety valve (MFSV)
- 3. Cold water Inlet
- 4. Hot water outlet
- 5. Stop Cock (SC)

PRV should be installed at a minimum distance of 12 feet from the inlet pipe, to avoid safety valve dripping.

MAINS CORD:

⇒ 3 Pin Plug, 3 Core x 1.0 Sq. mm (32 x 0.2) PVC Sheathed, 16A, 250V with ISI mark certified for ETERNO 2 NXT, ETERNO PRO.

ELECTRICAL CONNECTION:

Refer wiring diagram, Fig.6 to check electrical connections. Ensure proper earthing at 3pin supply point.

WIRING DIAGRAM:

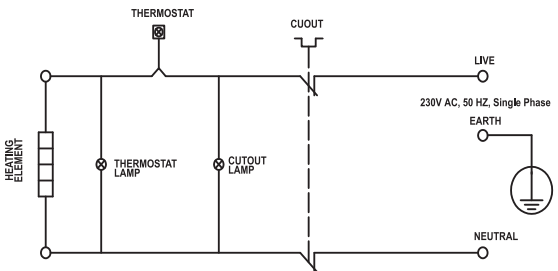


Fig. 6

Note : Main's cord or any other electrical component must be repaired/ replaced by authorized service personnel only. Minimum contact separation of 3mm is required in all poles for disconnection.

TROUBLE SHOOTING GUIDE FOR WATER HEATER:

#	Problem/Observation	Possible causes	Solution /Remarks
1	Water Heating takes longer time than specified in Instruction manual	Scaling on the Heating element cause slower water heating	Get the Heating element de-scaled from authorized service person or replace with genuine spare parts recommended by company Measure the temperature of water using thermometer. Adjust the flow rate at 3 Ltrs/min
		Low voltage at certain places	Check the voltage at customer's place
2	Equipment creates abnormal Noise	High voltage fluctuations ,Hard water	Recommend Spare Heating element with low watt density (8W/cm ²)
	Equipment creates hissing Noise	Due to scaling on Heating Element	descaling Heating element
3	Unit not working	Power point may not be working	Need the line at customer's place to be checked
		Check for any short circuit of harness/Power cord inside	
		Cut out operated due to dry heating	Reset Cut out
		Heating element might not be functioning (may be due to Dry heat or short/Crack/ burst/heavy scaling)	Replace Heating element
4	Leakage of the unit	Rusting of the tank	Check from where the leakage is (tank, collar, gasket, Heater plate), Replace or repair based on the observation
		Not enough torque to the bolts on HP/HE flange	Replace or repair based on the observation
		Leaking from Heating element brass flange (Instant water heater)	Replace Heating element
5	No Hot water out put	Heating element not working	Reset Cut out
		Thermostat low setting (check if someone tampered the setting in Instant water heater)	
		Cut out trip	
		Inlet valve closed	Open the inlet valve
6	User gets mild shock when using Water heater	Improper earthing at customer's place	Check for proper earthing & if not then suggest customer to do it properly
7	Outlet water blockage	Heavy scaling on Outlet pipe opening end	descaling the product from authorized service personal
8	Leaking from MFSV (Safety valve)	Excess pressure than rated pressure	Check the pressure when unit is in ON condition, ensure Inlet line is ON. Note When MFSV is dripping, it ensures safety of the equipment from excess pressure. Put drain pipe at MFSV with clip .
		Check PRV position from inlet pipe	It should be minimum 12 feet from equipment
			Check if PRV is there in high rise building
9	Water Heater unit burnt	Short circuit of the harness/Power Cord	Replace Harness asm or Power Cord
		Use of Low amp Power Cord	
10	Smell comes out of water	If Water heater unit is not used in 15+ days, water inside smells for some time	Flush out 2 times capacity of water heater

Dos AND DON'Ts OF WATER HEATER:

#	DOs.	REMARKS
1	Installation of water heater should be done by qualified person only, preferably from Racold service.	Product warranty will get void in case of wrong installation.
2	Use pressure reducing valve in case rated water pressure is higher than recommended.	To Avoid Water dripping from safety valve.
3	Inlet water line should be continuously Open when water heater is in use except when it is being serviced.	
4	Ensure proper leveling of the unit while doing Installation	If tilted, it may affect the hot water out put quantity
5	Ensure proper earthing at the place of Installation	Chances of getting Shock
6	Use ISI marked or Branded company Power Plugs only.	Use 16 Amp Power Plug only
7	Use of two spanners suggested while installing the product (connecting the hose pipes)	There may be a chance of crack on the pipes if we don't do so
8	Ensure water coming out from outlet prior switching the unit ON (first time)	If no water inside tank, unit goes into dry heat causing damages, burning etc. else Warranty will be void.
9	It is recommended that the IN/OUT pipes, Heating Element and Safety valve be de-scaled at least once in 6 months through proper Racold service only. "At customer cost"	This helps in Improving product life.
10	As per the safety norms Thermostat, Cut out are set at desired temperatures and Safety Valve set at desired pressure and its recommended not to change the settings	Product warranty will get void if setting changed.
11	Power OFF the unit while servicing the water heater unit	Chances of product burning/Safety purpose
12	Use Only Genuine company spare parts from authorised service centers	Product warranty will get void if used other than company recommended spare parts
#	DON'Ts	REMARKS
1	Use connectors In case if is required to connect another cord with main power cord came along with the product.	Chances of product burning /Safety purpose
2	Do not tamper the thermostat setting	As per safety standards, thermostats are set at desired temperatures. Recommend not to change the settings
3	Do not switch ON the product without checking the water coming out from outlet	Chances of product burning
4	Do not adjust/disturb Safety valve setting	As per safety standards, Safety valve are set at desired pressure. Recommend not to change the settings.

IMPORTANT NOTES:

- Optimum performance of the water heater is achieved when the total hardness of water <400 ppm & chloride content <300ppm.
- In case a pressure reducing valve is used in installation, please ensure that it is installed at a min.12 feet distance from the inlet point
- Please ensure the installation of water heater to be done by keeping minimum 1 foot from the wall on either side.
- Anode should be checked periodically within 6 months. If n found consumed(< Dia.7mm),replace it on chargeable basis.
- If product installed at inaccessible place, it is customer's responsibility to dismount the product and make available to the service representative.
- Annual maintenance contract (AMC) - it is recommended to take AMC and extended warranty from authorized service franchisee.
- Visit charges shall be applicable for product installation, Demonstration & explanation related calls.
- Please ensure proper ventilation whenever the unit is installed to avoid any rust formation/aggrevation.

ELECTRIC WATER HEATER INSTALLATION GUIDELINE FOR PLUMBERS

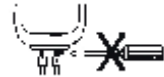
- Read Instruction Manual carefully and follow installation instructions.
- Check product type : Whether Vertical or horizontal, if Horizontal whether wall Mounting (WM) or Floor Mounting (FM) and install accordingly.
- Safety valves are pre-set for certain working pressure . Under any circumstances do not tamper / over-tighten the safety valve.
- Continuous water dripping from Safety valve is an indication of excessive pressure at inlet of water heater compared to the rated pressure. In that case install pressure reducing valve at the inlet
- Check for leakages after installation, plumbing & before switching ON the power supply.
- Ensure flow of water from outlet before connecting electric power supply to the appliance.
- Do not use excessive force while tightening inlet and outlet Couplings. This may cause serious damage to the Water Heater. Use Cross spanner for tightening.
- Check supply voltage at the place of installation 230V.
- Ensure proper earthing of electrical connection.
- No extension cords to be used.
- Use only ISI marked electrical accessories of proper rating e.g. 3 Pin Plug, Connection Boxes, Wires etc.
- In Storage water Heaters , check whether both blue and red lamps are glowing when the water heater is switched on.
- Ensure all Couplings / Joints are leak-proof.
- Check the Water Heater operation for one complete cycle i.g. one cycle of Thermostat operation, i.e Cut-off and cut-in



Horizontal



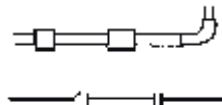
Vertical



Red



Blue





Please Complete The Following Details:

Product: ELECTRIC STORAGE WATER HEATER

Model No : _____

Serial No: _____

Purchaser's Name & Address: _____

Dealer's Name & Address: _____

Dealer's Signature: _____

Cash Memo No: _____

Date Of Purchase: _____

The Racold water heater comes with warranty for a period of two years from the date of purchase against electrical or mechanical failure caused through defective material and workmanship. The inner container is warranty for 7 years and the heating element is warranty for 3 years. In event of failure covered by this warranty, you are requested to contact our customer care & obtain the complaint number. Our trained technicians will repair the product at our option. No further liability for the consequential or damage is accepted or implied. We will not be responsible for any human injury, property damages consequential damages caused due to improper use. All disputes will be subjected to Pune Jurisdiction only. The warranty on the tank includes the tank only. It does not include any other parts inside or outside of the tank.

Warranty on tank and heating element applies only if:

- 1) Annual check of anode is done mandatorily & its replacement done in case of consumption (rod dia less than 7mm).
- 2) Warranty will be no more valid in case the maintenance of anode is not done as per point no. 1.

Following things shall not be covered under warranty:

- 1) Any plumbing and/or Electrical related problems, not related to product.
- 2) Any defects arising due to wrong and/or non recommended installation procedure.
- 3) Dry heating of water heater.
- 4) Consumables such as anode.
- 5) Any human injury, property damages and consequential damages caused due to improper use.



REBORN EVERYDAY WITH HOT WATER

Electric | Solar | Gas | Heat Pump



www.racold.com



QUICK START :

1. Connect the safety valve at the inlet of water heater if supplied separately. Don't install water heater without safety valve.
2. Hook the water heater on wall with the help of mounting brackets. Take Necessary dimensions for making holes for mounting brackets.
3. Connect the inlet & outlet piping as marked on water heater.
4. Start water flow inside Water heater & fill it completely till water comes out from outlet connection.
5. Connect the electrical cord to power point.
6. Switch on the water heater's main supply, red indicator lamp comes on.
7. The red indicator lamp switches off indicates water inside the water heater reached to the set temperature
8. Run a complete cycle of Thermostat ON to Thermostat cut OFF, in presence of service provider / Installation technician / plumber.

Ariston Group India Private Limited

Office No: 103, 1st Floor, Mayfair Tower, Wakdewadi,
Shivaji Nagar, Pune - 411005, Maharashtra.

 Customer care number:
020 6734 2288, +91 8600 25 6000 |  7362 888 999 

 Email: customer.care@racold.com